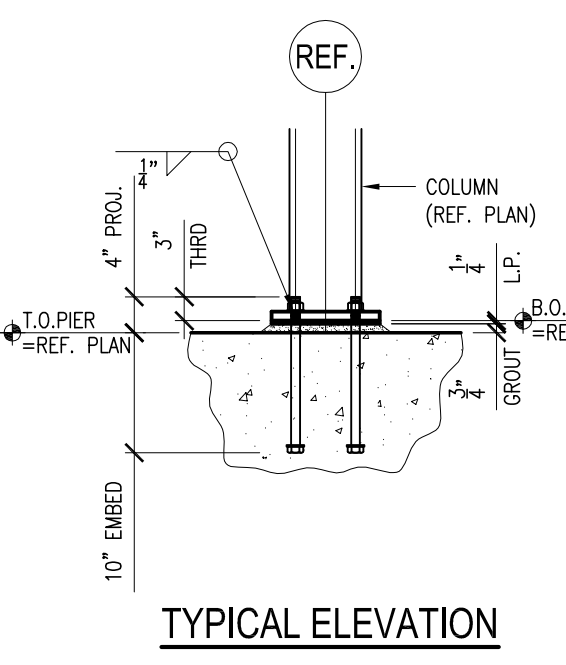
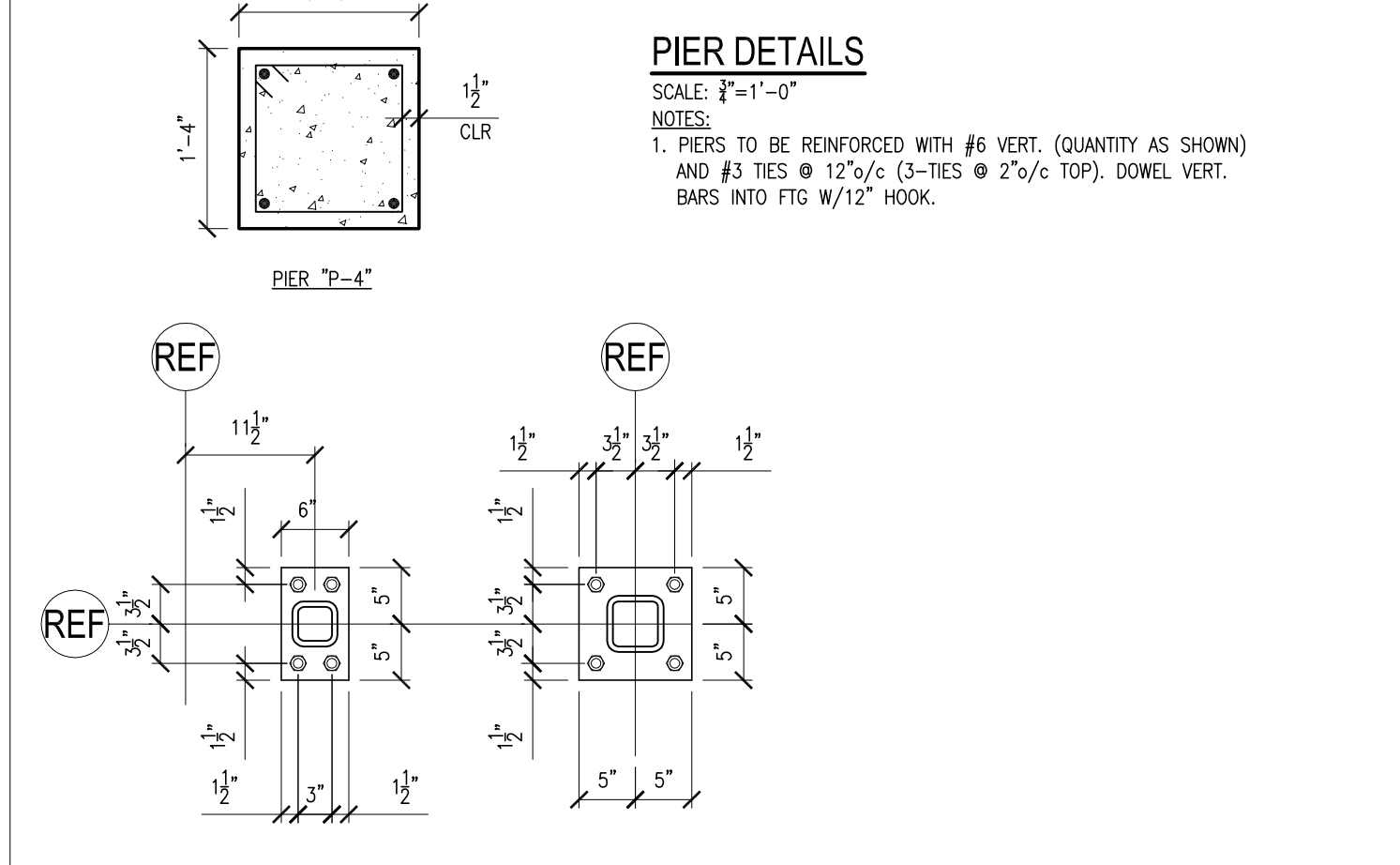
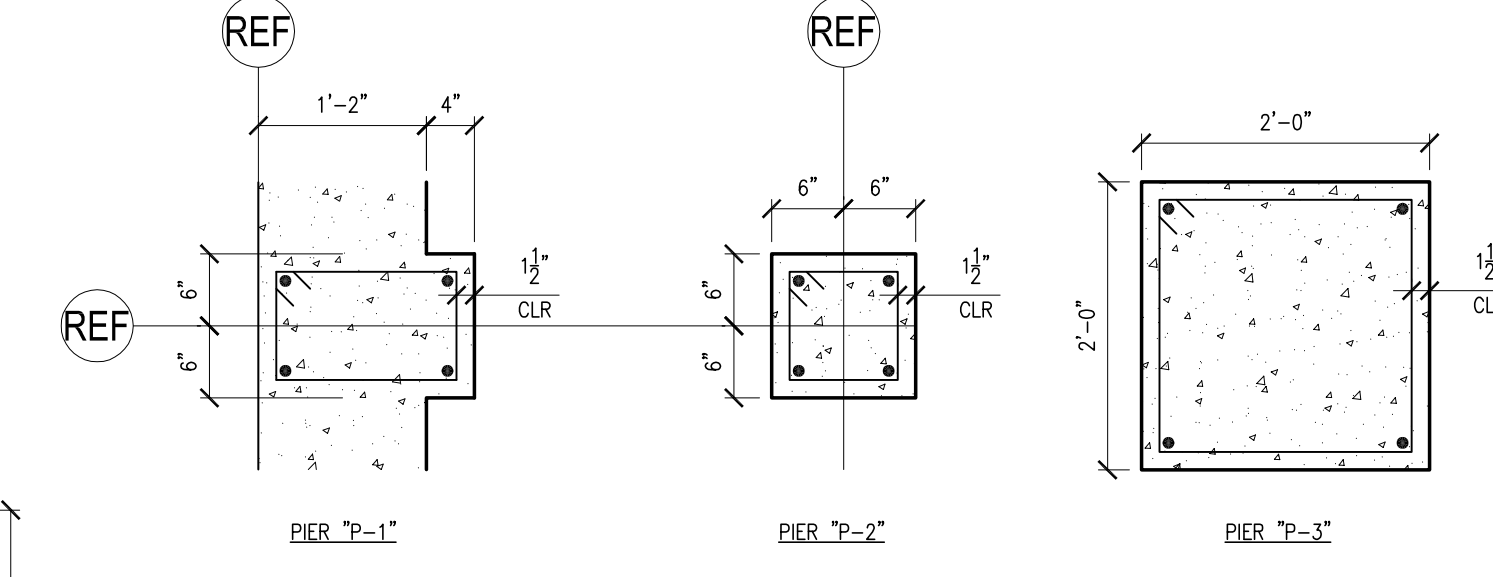


MARK	THICKNESS	WIDTH/LENGTH	REINFORCING
F-1	12"	2'-6"CONT.	3-#6 CONT.
F-2	12"	2'-0"CONT.	3-#6 CONT.
F-3	12"	4'-0"x4'-0"	#5 @ 8" E.W. BOT.
F-4	12"	6'-0"x6'-0"	#5 @ 8" E.W. BOT.
F-5	16"	8'-0"x8'-0"	#5 @ 8" E.W. BOT.

MARK	THICKNESS	CONSTRUCTION DETAILS
S.O.G.-1	4"	- STEEL TROWEL FINISH - REINFORCE WITH STRUX 90/40 FIBERS (W.R. GRACE) (2.0 LBS./CY.) - 10 MIL REIN. VAPOR RETARDER - 8" MIN. CONSOLIDATED CRUSHED STONE, OR COMPACTED STRUCTURAL FILL
S.O.G.-2	6"	- FLOAT FINISH @ GARAGE & SALLY PORT, STEEL TROWEL FINISH @ PROCESSING AREA - REINFORCE WITH STRUX 90/40 FIBERS (W.R. GRACE) (4.0 LBS./CY.) - 10 MIL REIN. VAPOR RETARDER - 8" MIN. CONSOLIDATED CRUSHED STONE, OR COMPACTED STRUCTURAL FILL
S.O.G.-3	4"	- LIGHT BROOM FINISH - REINFORCE WITH STRUX 90/40 FIBERS (W.R. GRACE) (2.0 LBS./CY.) - 8" MIN. CONSOLIDATED CRUSHED STONE, OR COMPACTED STRUCTURAL FILL - FILTER FABRIC (WRAP ALL SIDES AND LAP 12" ON TOP OF STONE)
S.O.G.-4	4"	- LIGHT BROOM FINISH - REINFORCE WITH #4 @ 10 1/2" E.W. 1/2" CLR FROM TOP - CRUSHED STONE FILL TO B.U.F.
S.O.G.-5	6"	- LIGHT BROOM FINISH - REINFORCE WITH #4 BARS @ 12 1/2" 1/2" CLR FROM TOP - 24" LAYER OF CRUSHED STONE - FILTER FABRIC (WRAP ALL SIDES AND LAP 12" ON TOP OF STONE)



FOUNDATION PLAN
SCALE: 1/4"=1'-0"

NOTES:
 1. REFERENCE ELEVATION OF 100'-0" CORRESPONDS TO ACTUAL SITE ELEVATION 479'-0".
 2. C.J. = SLAB ON GRADE CONTROL/CONST. JOINT. CONTRACTOR SHALL DETERMINE WHICH JOINTS WILL BE CONSTRUCTION JOINTS BASED ON THE AMOUNT OF SLAB THAT CAN BE PREPARED, PLACED, FINISHED AND CURED ACCORDING TO WEATHER CONDITIONS & AVAILABLE MANPOWER. T.J. = TOOLED JOINT.
 3. PROVIDE PERFORATED PERIMETER DRAIN AROUND OUTSIDE OF FOUNDATION (REF. DWG S3.1 FOR DETAILS). COORD. W/ CIVIL DWGS.
 4. FOUNDATION WALL CONTROL/CONSTRUCTION JOINT - REFER TO DWG S3.1 FOR DETAILS. CONTRACTOR TO DETERMINE WHICH LOCATIONS WILL BE DESIGNATED AS CONSTRUCTION JOINTS BASED ON THE AMOUNT OF WALL THAT CAN BE ABSOLUTELY FORMED AND PLACED.
 5. REF. MECH. DWGS FOR HOUSEKEEPING PAD REQUIREMENTS @ MECH. EQUIP., REF. DWG S3.1 FOR DETAILS.
 6. CODE-COMPLIANT FOUNDATION GROUNDING SYSTEM TO BE COORDINATED W/ELEC. CONTRACTOR PRIOR TO ANY WALL OR PAD FOOTING PLACEMENT.
 7. F.O. = FLOOR DRAIN, T.D. = TRENCH DRAIN (COORD. DETAILS W/ PLUMBING DWGS).
 8. COORD. SLEEVES THRU FOUNDATION WALL W/ PLUMBING DWGS.
 9. COORDINATE ALL T.O.W. DRIPS AT DOOR OPENINGS WITH SIZE AND LOCATION DIMENSIONS SHOWN ON ARCHITECTURAL DRAWINGS.
 10. REFER TO GEOTECHNICAL REPORT FOR SOILS INVESTIGATION AND GEOTECHNICAL RECOMMENDATIONS.
 11. FULLY GROUT BOTTOM 4-COURSES OF THIS SECTION OF CMU WALL.

MARK	THICKNESS	WIDTH/LENGTH	ANCHOR BOLTS
BP-1	2"	6"x10"	4-#8
BP-2	1"	10"x10"	4-#8
BP-3	1"	10"x10"	4-#8 (NOTE 6)
BP-4	2"	6"x10"	4-#8 (NOTE 7)

DATE: _____

REVISION: _____

STRUCTURAL ENGINEER: **HARDY STRUCTURAL ENGINEERING**

DEVELOPER: **JDL CASTLE CORPORATION**

ARCHITECT: **RABEAU ARCHITECTS**

U.S. Customs and Border Protection
in
Richford, Vermont

SHEET TITLE: **STRUCTURAL FOUNDATION PLAN**

SCALE: AS NOTED

DATE: 1/20/08

CHECKED BY: TPH

DRAWN BY: SMD

SHEET NUMBER: **S-1.1**