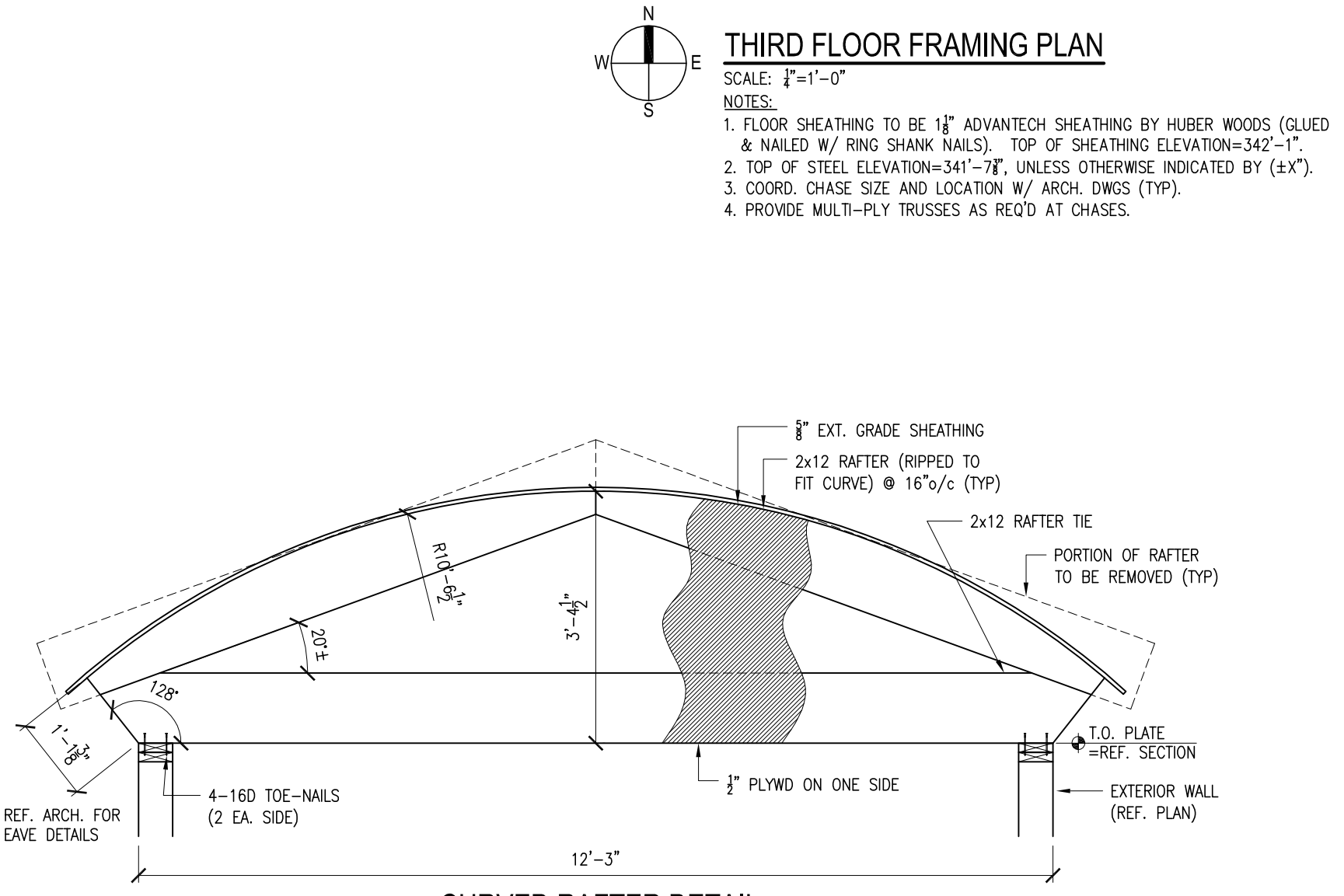


TYP STAIR FRAMING
 SCALE: 1/2" = 1'-0"
 NOTES:
 1. REF. ARCH. DWGS FOR LAYOUT, DIMENSIONS AND DETAILS.



CURVED RAFTER DETAIL
 SCALE: 1/2" = 1'-0"

THIRD FLOOR FRAMING PLAN
 SCALE: 1/4" = 1'-0"
 NOTES:
 1. FLOOR SHEATHING TO BE 1/2" ADVANTECH SHEATHING BY HUBER WOODS (GLUED & NAILED W/ RING SHANK NAILS). TOP OF SHEATHING ELEVATION=342'-1".
 2. TOP OF STEEL ELEVATION=341'-7", UNLESS OTHERWISE INDICATED BY (+X").
 3. COORD. CHASE SIZE AND LOCATION W/ ARCH. DWGS (TYP).
 4. PROVIDE MULTI-PLY TRUSSES AS REQ'D AT CHASES.

NO.	DATE:	REV

80 MIDAS DRIVE, L.L.C.
 VERMONT FEDERAL
 CREDIT UNION

SCALE: 1/4" = 1'-0"
 DATE: 06/07/2006
 DRAWN BY: SMD
 CHECKED BY: TPH
 PROJECT: 06008.00

SHEET TITLE:
 STRUCTURAL
 THIRD FLOOR
 FRAMING PLAN

DRAWING NO.
S1.3



MIDAS DRIVE SOUTH BURLINGTON VERMONT