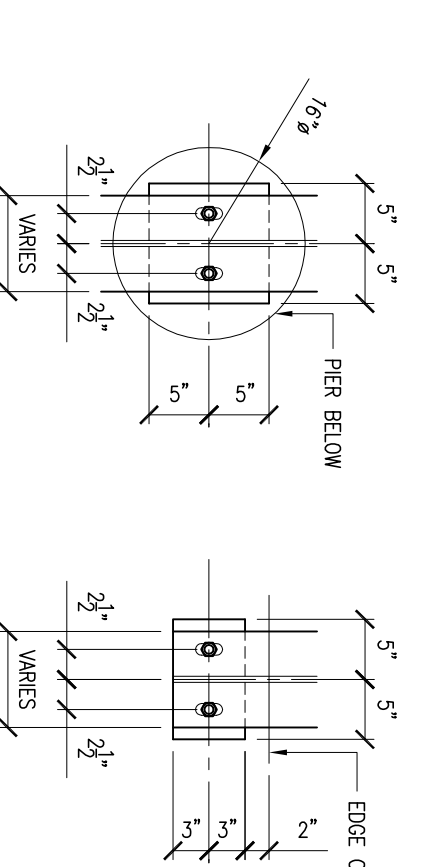


B.P. SCHEDULE
MARK THICKNESS WIDTH/LENGTH

| | | |
|------|----|---------|
| BP-1 | 1" | 10"x10" |
| BP-2 | 1" | 6"x10" |

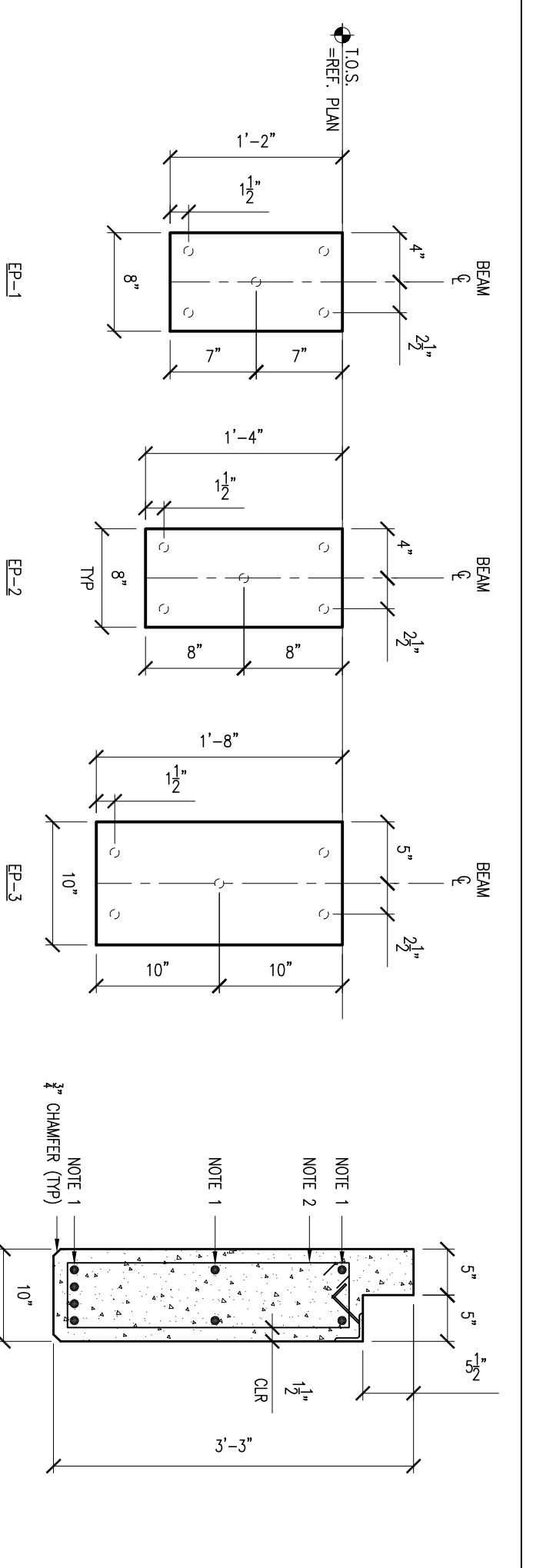


BP-1 DETAIL
SCALE: 3/4"=1'-0"

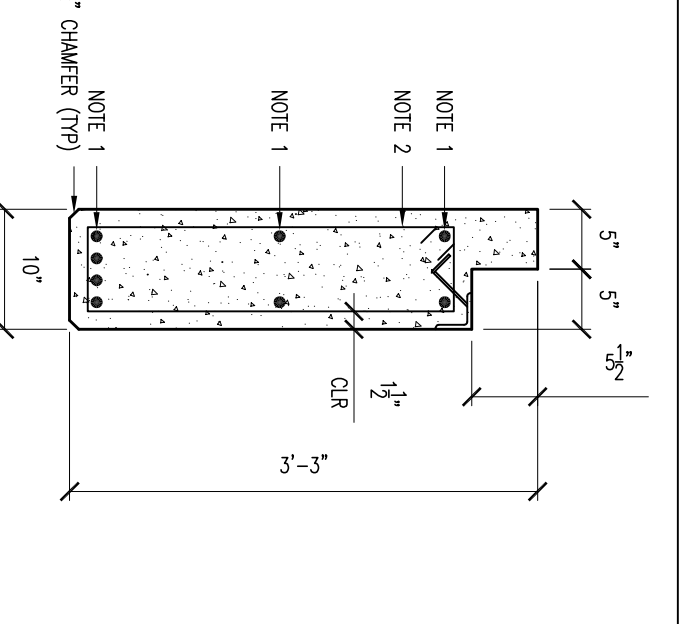
PIER SCHEDULE

| MARK | SIZE | VERT. REIN. | TES |
|------|-------------|-------------|------------------------------|
| P-1 | REF. DETAIL | 4#6 | 4#3 @ 12"/6" (3 @ 2' TOP) |
| P-2 | REF. DETAIL | 4#6 | 4#3 @ 12"/6" (3 @ 2' TOP) |
| P-3 | REF. DETAIL | 4#6 | 4#3 @ 12"/6" (3 @ 2' TOP) |
| P-4 | REF. DETAIL | 4#6 | 4#3 @ 12"/6" (3 @ 2' TOP) |

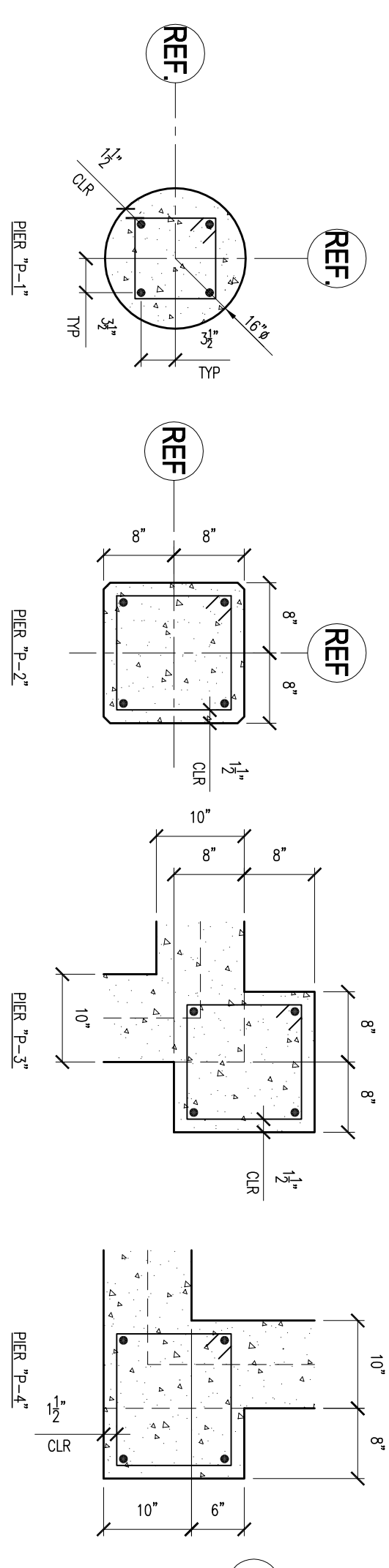
BP-2 DETAIL
SCALE: 3/4"=1'-0"



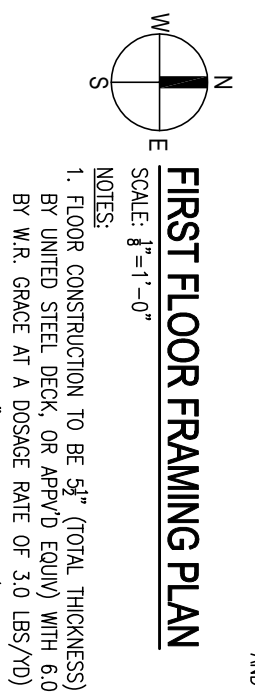
EMBEDDED PLATE DETAILS
SCALE: 1"=1'-0"



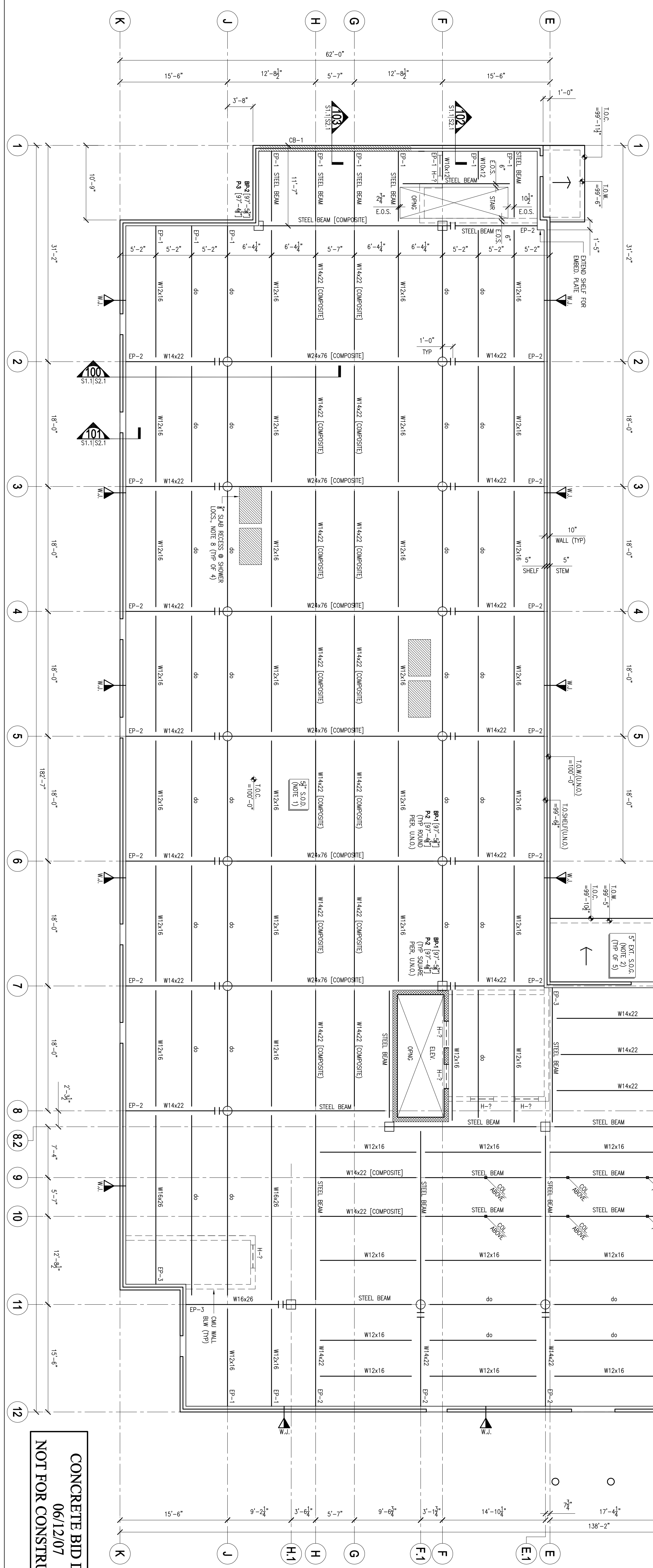
TYP. CONCRETE BEAM DETAIL
SCALE: 3/4"=1'-0"



PIER DETAILS
SCALE: 3/4"=1'-0"



- NOTES:**
- FLOOR CONSTRUCTION TO BE 5" (TOTAL THICKNESS) CONCRETE SLAB ON 2x2x4 COMPOSITE DECK (LOOK FLOOR) WITH 1" MIN. CLEARANCE FROM ALL WALLS AND BEAMS. ALL REINFORCEMENT SHALL BE PLACED AT A MINIMUM OF 1" FROM ALL SURFACES.
 - PORCH SLAB TO BE 5" SOLE REIN. W/6#6@12" SWAY 2# W/1" CLR FROM TOP. PROVIDE LEAF BROOM FINISH.
 - TOP OF STEEL (T.O.S.) = UNDERSIDE OF DECK ELEVATION = 99'-0" (UNADJ.)
 - REF. FROM FLOOR AND TOPSURF ELEVATIONS. SPREAD UNUSUALLY QUANTITY NOTED BY (X).
 - ALL STEEL BEAMS TO BE WELDED TO CONCRETE. WELDS TO BE FULL PENETRATION JOINTS.
 - ALL STEEL BEAMS TO RECEIVE SPRAY-ON PROTECTANT (2) 1/2" THICK. HOLES SHALL BE PATCHED AND BROOM SMOOTH.
 - CONTRACTOR TO OBTAIN APPROVAL FROM ENGINEER ASSIGNED (2) 1/2" HOLES SHALL BE PATCHED AND BROOM SMOOTH.
 - REINFORCED SOLE FOUNDATION PROVIDED FOR IN ORDER TO PREVENT RECESSING SLAB AS A SEPARATE FOUNDATION.



CONCRETE BID DWGS
06/12/07
NOT FOR CONSTRUCTION

NOTE:
THIS DRAWING IS BEING ISSUED FOR WORK RELATING TO CONCRETE CONSTRUCTION ONLY. STEEL BID DRAWINGS WILL BE ISSUED AT A LATER DATE.

SUBMISSION LOG

| DATE | DESCRIPTION | REV. |
|---------|----------------------|------|
| 6/12/07 | CONCRETE BID PACKAGE | -- |

ENGINEER'S STAMP

ENGINEER OF RECORD
TIM HARDY, PE



PROJECT:
ESSEX SENIOR HOUSING
ESSEX, VERMONT

DRAWING TITLE:
STRUCTURAL
FIRST FLOOR
FRAMING PLAN

PROJECT ENGINEER: JARED WATTE
ENGINEER OF RECORD: TIM HARDY
PROJECT CAD: JARED WATTE
PROJECT NUMBER: 07005.00
SCALE: AS NOTED
DATE: JUNE 12, 2007
DRAWING NUMBER: S12
REVISION: