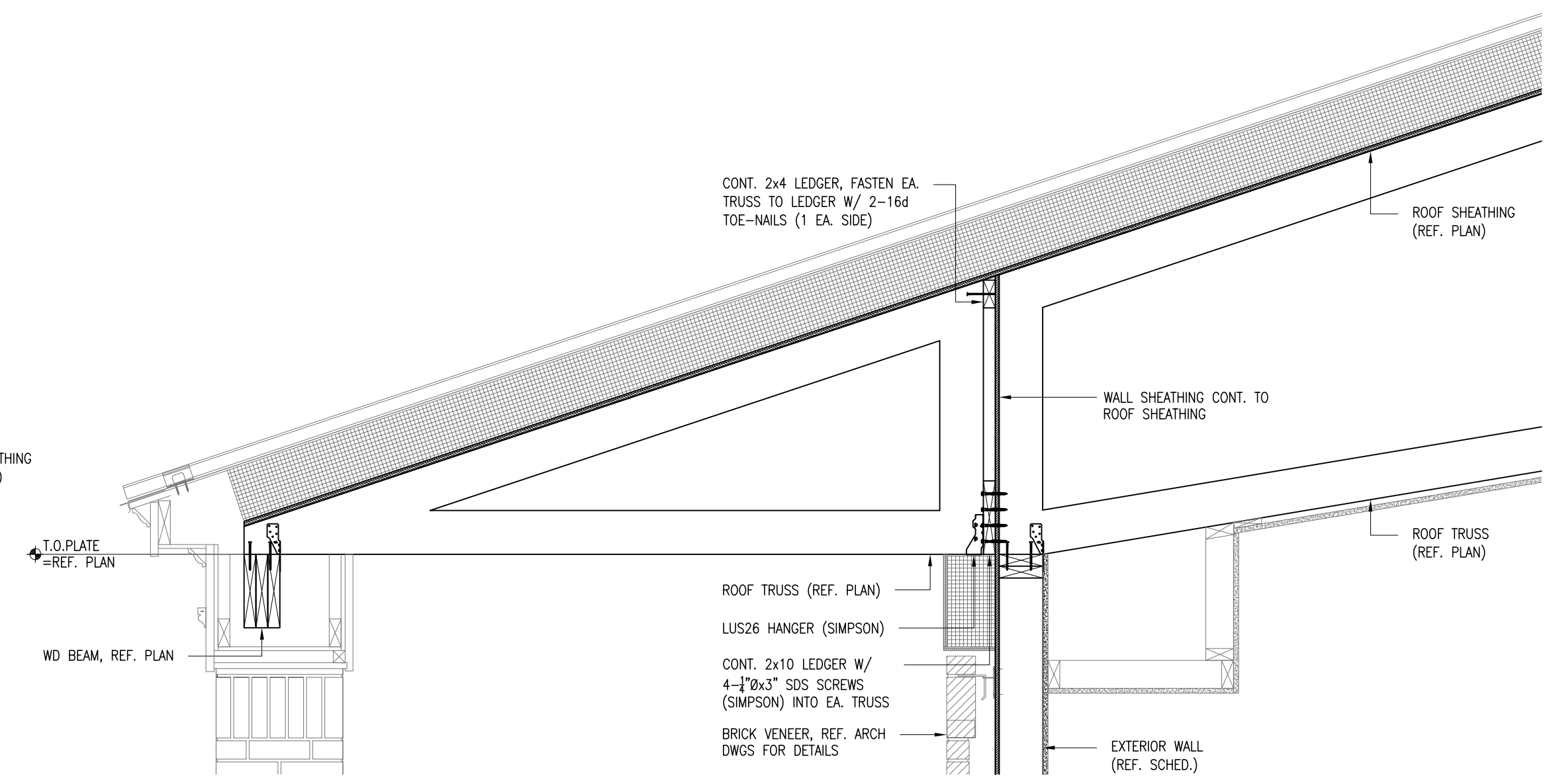
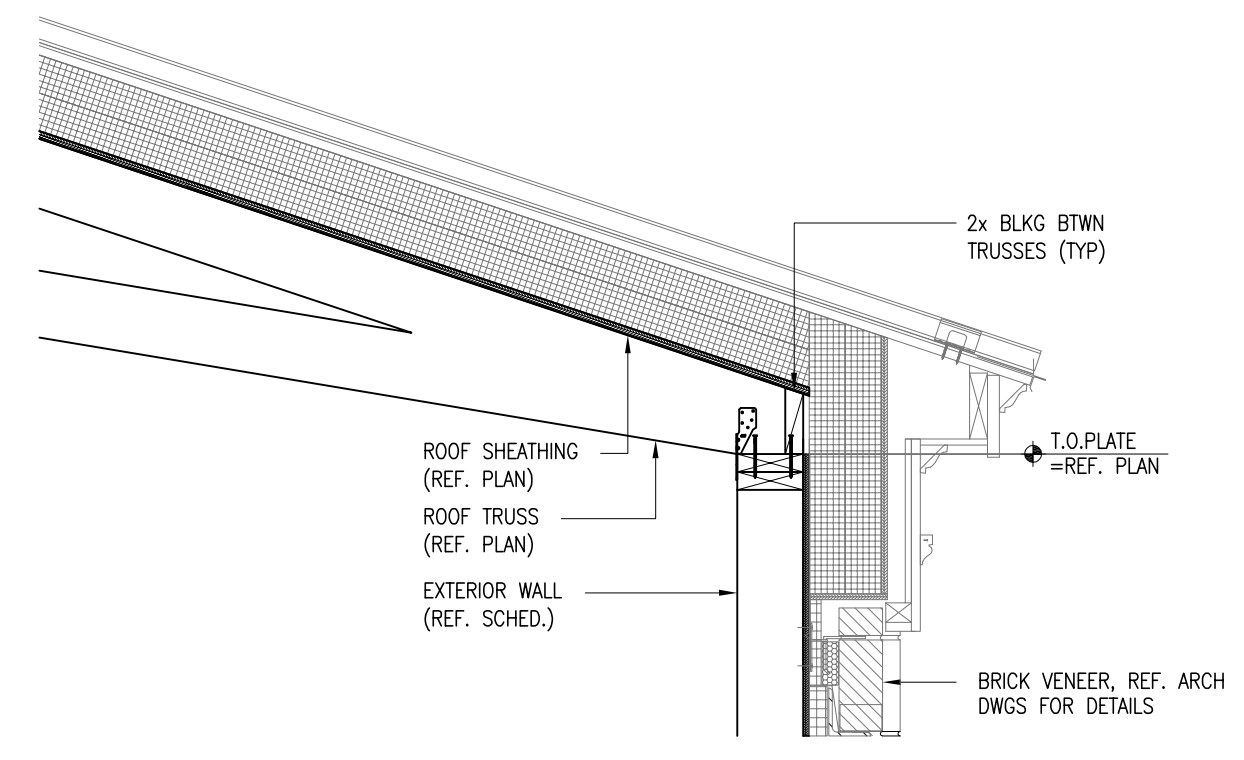


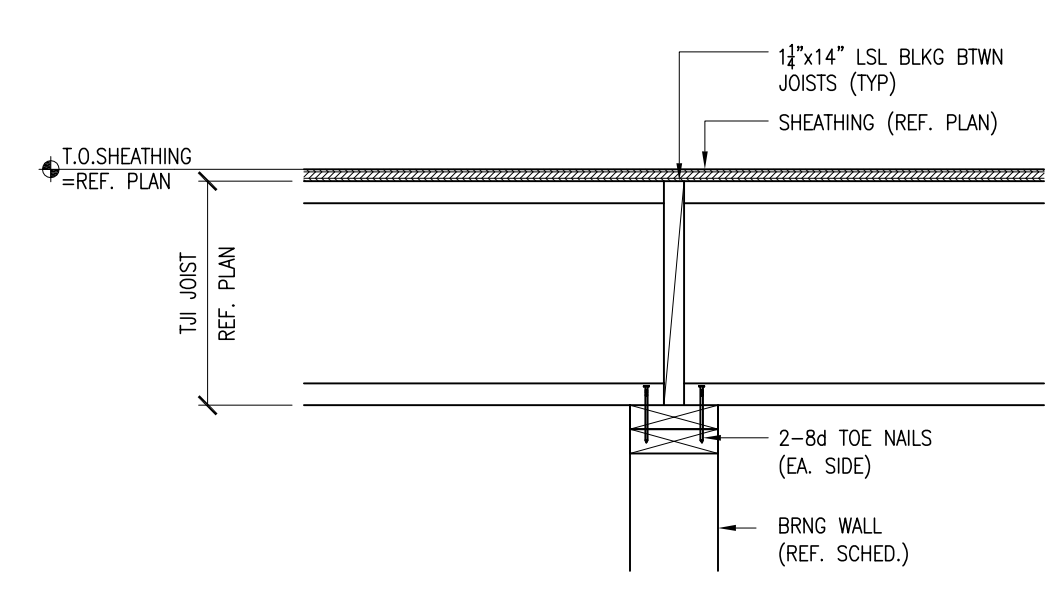
**SECTION 200**  
S1.11S2.2 SCALE: 1/2"=1'-0"  
NOTES:  
1. DETAILS SHOWN ON THIS SECTION ARE TYPICAL, U.N.O. ON OTHER SECTIONS.



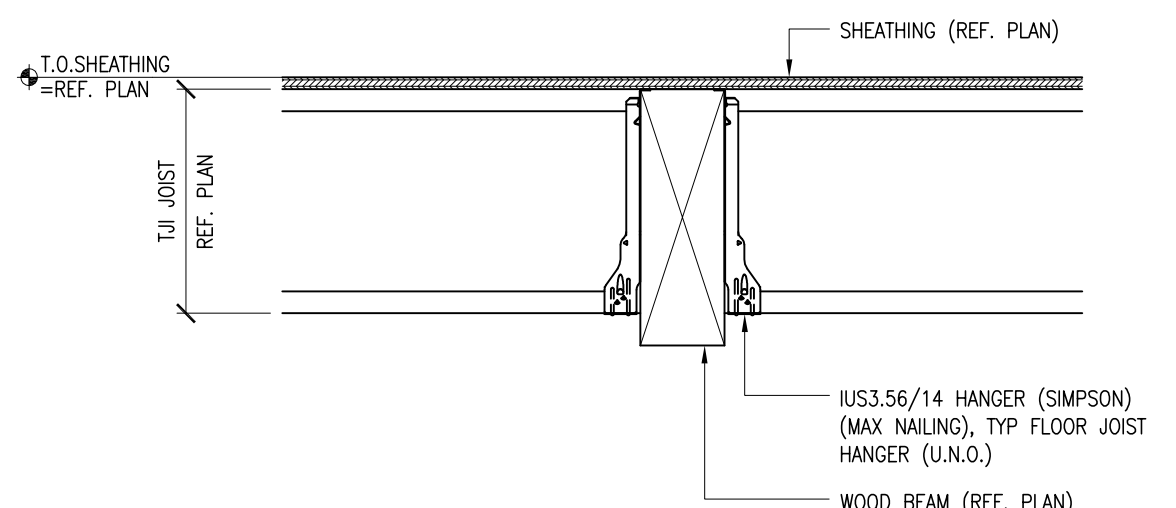
**SECTION 201**  
S1.11S2.2 SCALE: 1/2"=1'-0"



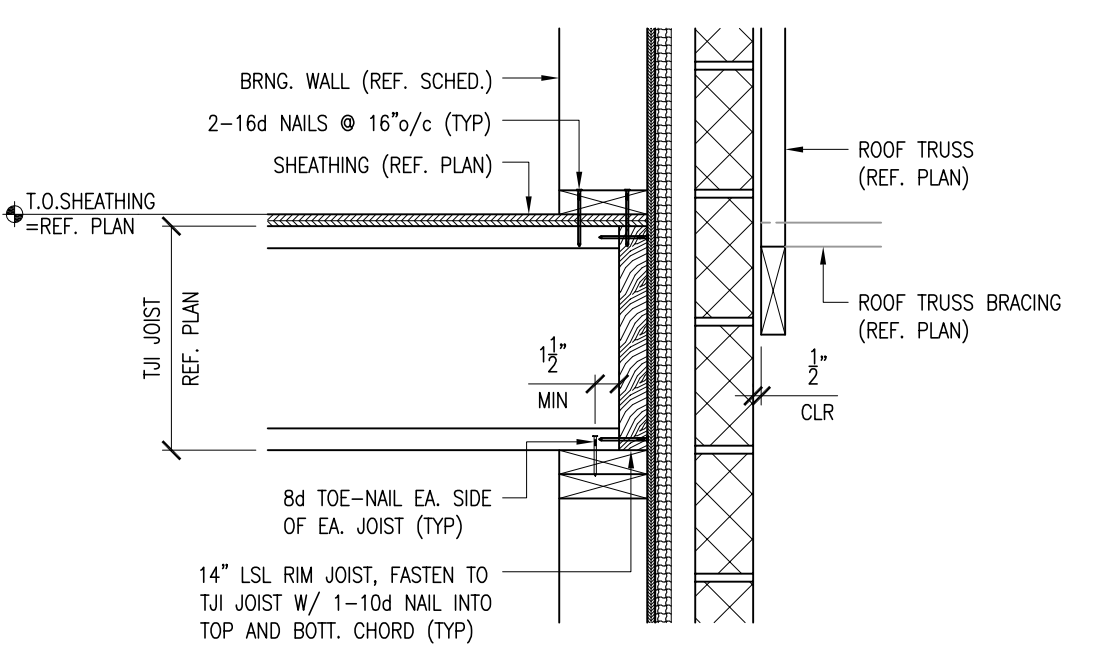
**SECTION 202**  
S1.11S2.2 SCALE: 1/2"=1'-0"



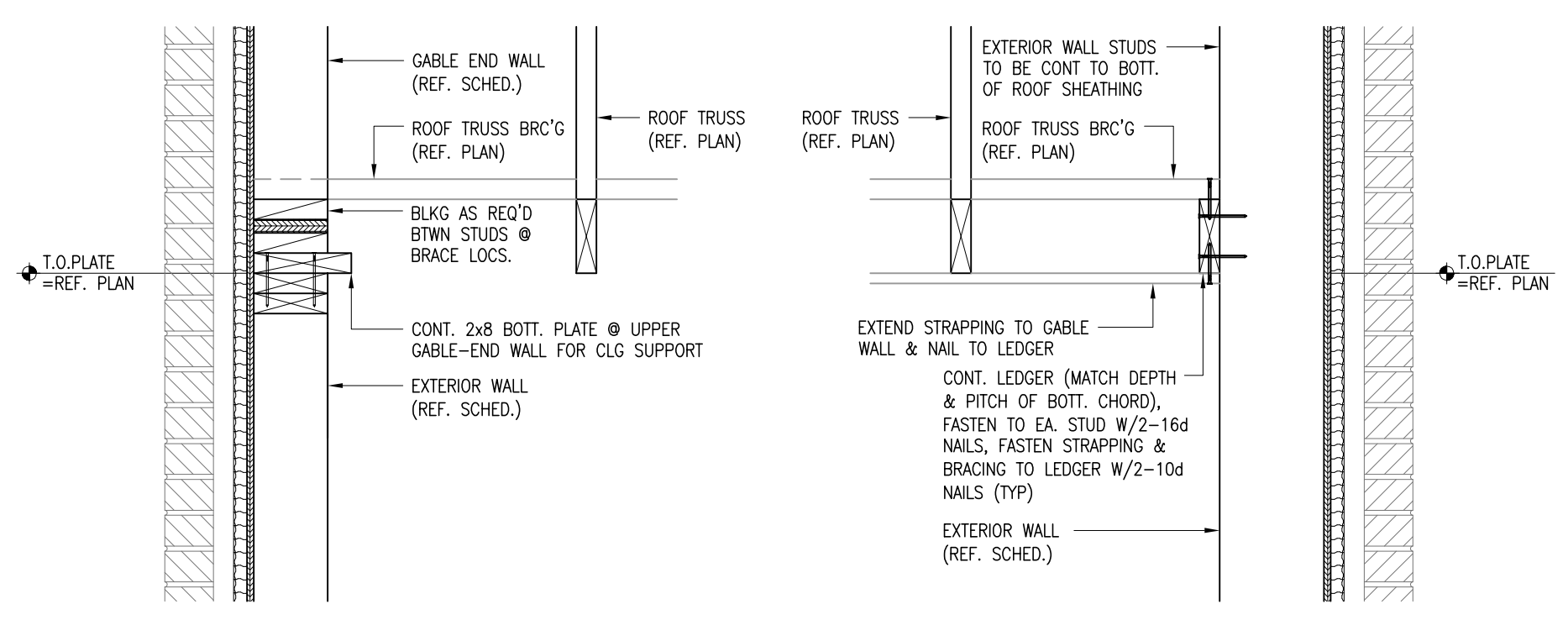
**SECTION 203**  
S1.11S2.2 SCALE: 1"=1'-0"



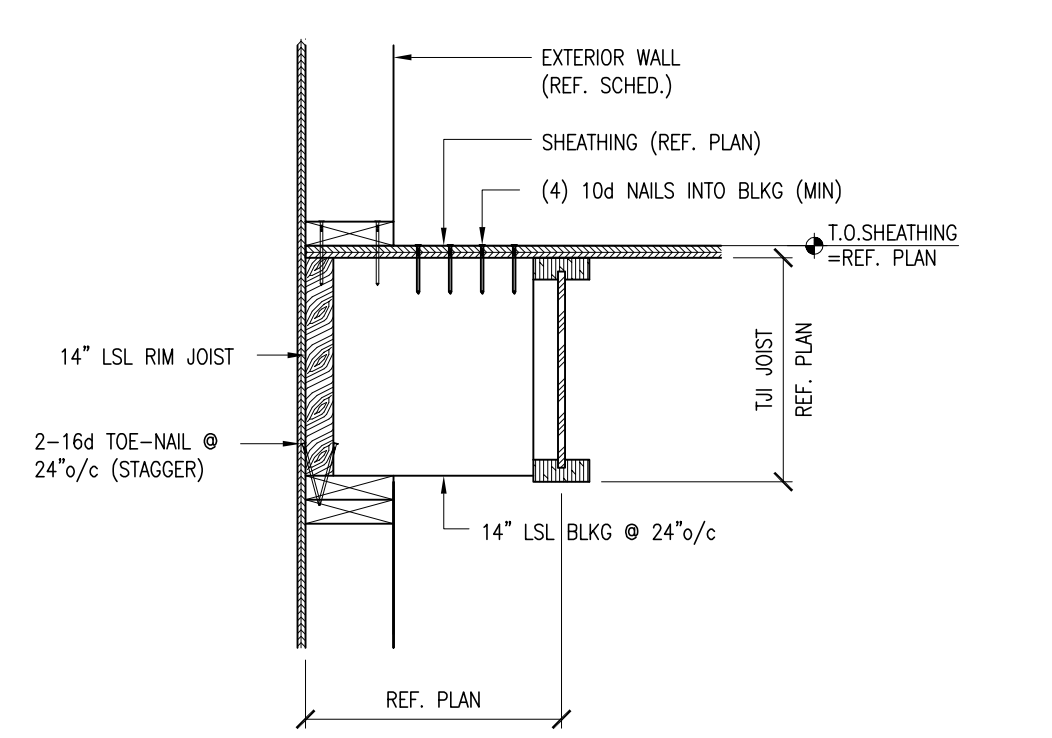
**SECTION 204**  
S1.11S2.2 SCALE: 1"=1'-0"



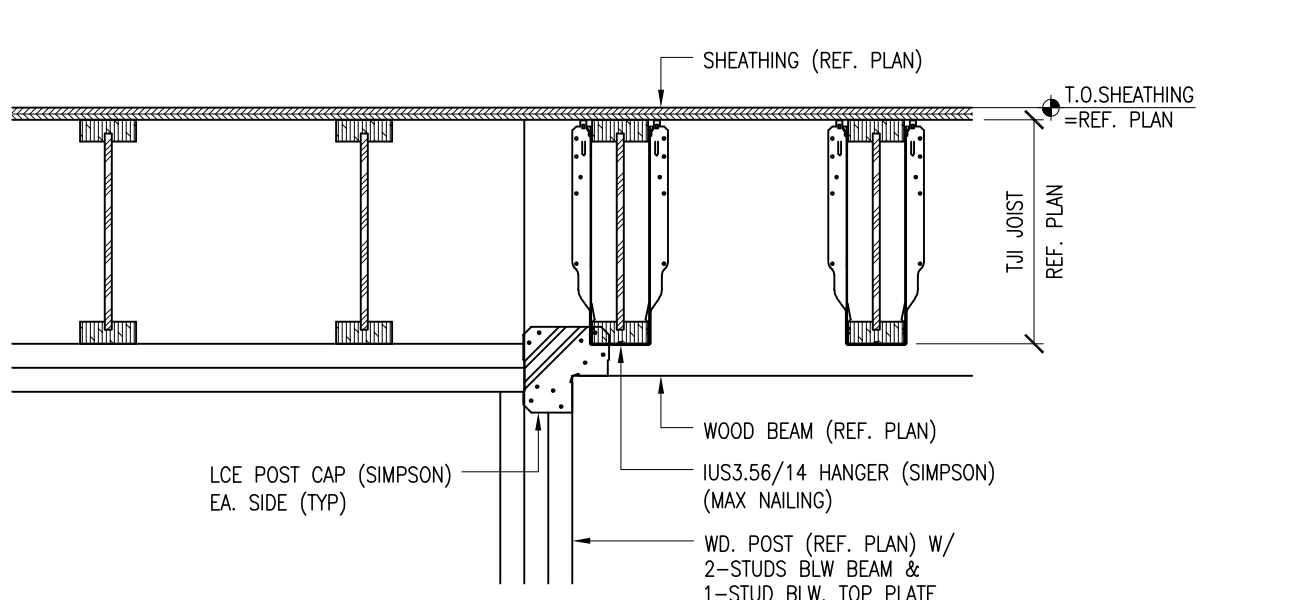
**SECTION 205**  
S1.11S2.2 SCALE: 1"=1'-0"



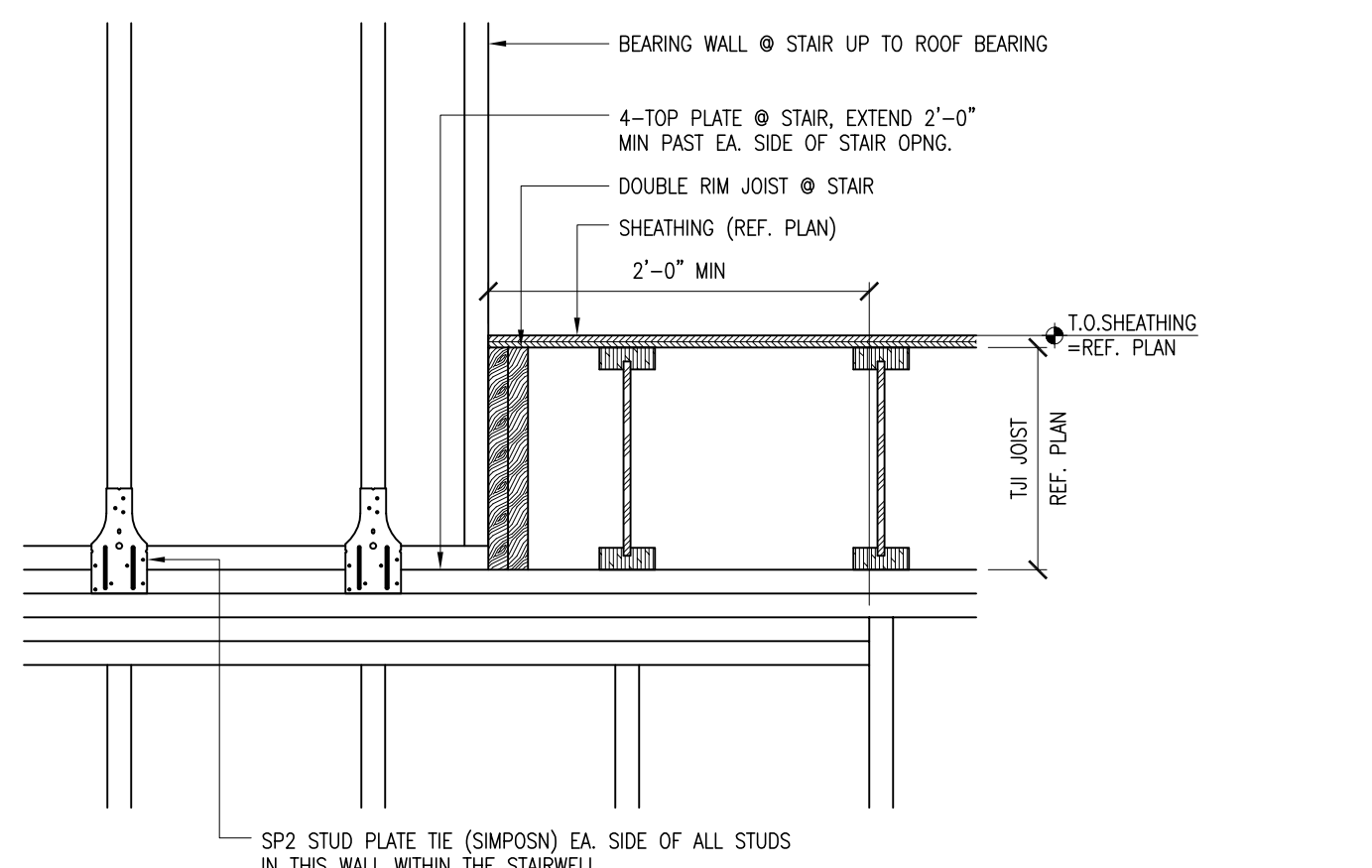
**SECTION 206**  
S1.11S2.2 SCALE: 1"=1'-0"



**SECTION 208**  
S1.11S2.2 SCALE: 1"=1'-0"



**SECTION 209**  
S1.11S2.2 SCALE: 1"=1'-0"



**SECTION 210**  
S1.11S2.2 SCALE: 1"=1'-0"

SUBMISSION LOG		
DATE	DESCRIPTION	REV.

ENGINEER STAMP

ENGINEER OF RECORD  
TIM HARDY, PE

875 Crosswell Hwy, Suite 130, Colchester, VT 05446  
phone: (802) 655-0755 fax: (802) 655-2686  
www.hardyse.com

PROJECT  
**POMERLEAU ALUMNI CENTER**  
COLCHESTER VERMONT

DRAWING TITLE  
**STRUCTURAL SECTIONS**

PROJECT ENGINEER	ENGINEER OF RECORD
TIM HARDY	TIM HARDY
PROJECT CAD	PROJECT NUMBER
STACIE DOUGHERTY	08018.00
SCALE	DATE
AS NOTED	OCTOBER 8, 2008
DRAWING NUMBER	REVISION
<b>S2.2</b>	